

# HARIG®

## HARIG® 612 & 618 Ball Way Surface Grinders

- **Finger Tip Operation**
- **Hand Scraped Ways**
- **Lasting Performance Accuracy**
- **Made in the U.S.A.**

- Rigid construction. One piece cast column construction, heavily ribbed 30,000 psi graphitic iron to resist deflection under load.
- Smooth-gliding, cable-driven table using precision ball bearings to evenly distribute workloads.
- New crossfeed drive features positive lubrication and easy backlash adjustments.

- Cast iron base extended to the floor. Three point leveling system.
- Automatic lubrication standard. Harig's unique automatic FLO- CLEAN LUBRICATION SYSTEM continuously floods filtered lubrication to the column, carriage and table ball ways.
- Temperature compensating spindle housing for consistent accuracy. The direct drive 3-inch-diameter spindle features Class 7 preloaded duplex bearings.
- The Harig Ball Way has hardened balls accurate to 5 millionths. Rollers are generally limited to 25 millionths accuracy. Balls deflect dirt aside, unlike rollers which may roll over it, causing finish and surface accuracy variations.
- Lock up longitudinal table travel by flipping lever. Turn a thumb screw to lock cross feed travel.
- Manual start on-off push button includes overload and underload protection.
- Full support. Warranty of 24 months on parts and 12 months on labor.
- Financing and leasing readily available.



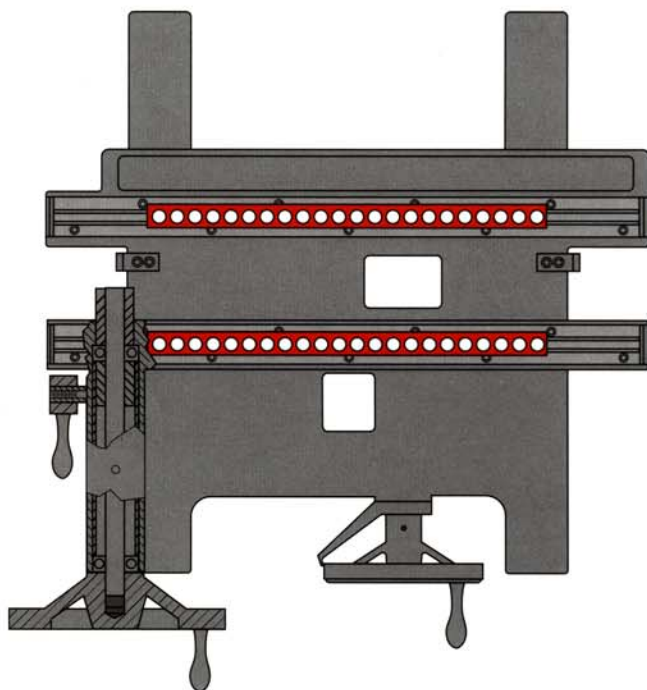
# HARIG® 612 618 Ball Way Surface Grinder Specifications

6 x 12 in. or 6 x 18 in. platen  
Performance accuracy that lasts

## Specifications

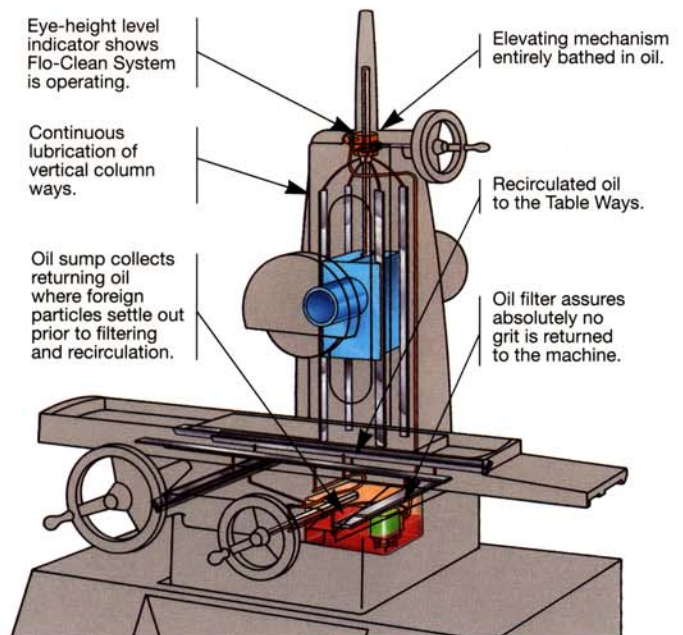
	612	618
Cable longitudinal table drive	Standard	Standard
Longitudinal travel	12 <sup>3</sup> / <sub>4</sub> in. ( 324 mm)	20 in. ( 508 mm)
Cross feed travel	6 <sup>3</sup> / <sub>4</sub> in. ( 171 mm)	6 <sup>3</sup> / <sub>4</sub> in. ( 171 mm)
Vertical working height (under 7 in. wheel)	12 in. ( 305 mm)	11 <sup>3</sup> / <sub>4</sub> in. ( 298 mm)
Platen work area	6 x 12 in. ( 152 x 305 mm)	6 x 18in. ( 152 x 457 mm)
Grinding wheel furnished	7 x 1 <sup>1</sup> / <sub>2</sub> x 1 <sup>1</sup> / <sub>4</sub> in. I.D. ( 178 x 13 x 32 mm)	7 x 1 <sup>1</sup> / <sub>2</sub> x 1 <sup>1</sup> / <sub>4</sub> in. I.D. ( 178 x 13 x 32 mm)
Grinding wheel maximum capacity	8 x 1 <sup>1</sup> / <sub>4</sub> x 1 <sup>1</sup> / <sub>4</sub> in. I.D. ( 203 x 32 x 32mm)	8 x 1 <sup>1</sup> / <sub>4</sub> x 1 <sup>1</sup> / <sub>4</sub> in. I.D. ( 203 x 32 x 32mm)
Elevating handwheel grad.	0.0001 in. ( 0.0025 mm)	0.0001 in. ( 0.0025 mm)
Cross feed handwheel grad.	0.001 in. ( 0.02 mm)	0.001 in. ( 0.02 mm)
Spindle motor	1 <sup>1</sup> / <sub>2</sub> HP ( 1.125 kW)	1 <sup>1</sup> / <sub>2</sub> HP ( 1.125 kW)
Spindle speed	3450 RPM @ 1 <sup>1</sup> / <sub>2</sub> HP, 60Hz	3450 RPM @ 1 <sup>1</sup> / <sub>2</sub> HP, 60Hz
Floor area cabinet	29 x 29 in. ( 737 x 737 mm)	29 x 29 in. ( 737 x 737 mm)
Floor area operating space	48 x 45 in. ( 1219 x 1143 mm)	69 x 45 in. ( 1753 x 1143 mm)
Net weight of machine	1150 lbs. ( 522 kg)	1350 lbs. ( 599 kg)
Weight, domestic crated	1330 lbs. ( 603 kg)	1530 lbs. ( 694 kg)
Weight, export boxed	1450 lbs. ( 658 kg)	1650 lbs. ( 748 kg)
Export box dimensions	76 x 55 x 45 in.( 1.9 x 1.4 x 1.1 m)	76 x 55 x 45in.( 1.9 x 1.4 x 1.1 m)

**NOTE:** Specifications Subject to Change Without Notice.



**Longitudinal Table Travel:**  
Harig's smooth cable drive Ball Way design is protected from contamination with front and rear seals.

**Automatic Lubrication System:**  
Harig's exclusive Flo-Clean Lubrication System continuously floods ways, bearings and leadscrews with recirculated filtered oil.



# HARIG®

Harig Products, Inc. • 1875 Big Timber Road • Elgin, IL 60123 • (847) 695-1000 • Fax: (847) 695-1043

**Safety Notice:** Harig Products, Inc. provides protective devices for the safe use of this equipment. Operation of this equipment may cause injury if the protective devices are removed. A comprehensive safety manual is provided with all machines offered by Harig Products, Inc. and recommended safe operating procedures must be adhered to.