

BallWay



- **Finger Tip Operation**
- **Long Life Accuracy**
- **Hand Scraped Ways**

American Made Since 1942

- *Optional Variable Speed Spindle allows infinite adjustment from 500 to 6,000 RPM.*
- *Rigid construction. Long life accuracy. One-piece cast column, heavily ribbed for rigidity. All castings are 30,000 psi graphitic iron to resist deflection under load.*
- *Smooth-gliding, cable-driven table using precision ball bearings to evenly distribute workloads.*
- *Cast iron base extended to the floor. Three point leveling system.*
- *Harig's unique FLO-CLEAN Lubrication System Continuously floods filtered lubrication to the column, carriage, and table ball ways.*
- *The Harig Ball Way Grinder has hardened balls accurate to 5 millionths. Unlike rollers, balls deflect dirt aside, ensuring the absolute best surface finish and accuracy.*
- *2 HP Direct Drive spindle, featuring Class 7 preloaded duplex bearings, mounted in a temperature-compensating housing for consistent ultra-high precision accuracy.*
- *Stainless steel wheel guard hardware and threads.*
- *Financing and leasing readily available.*



www.harigproducts.com

*Harig 618 Ball Way Precision Surface Grinder
(Shown with additional Options and Accessories)*

02-08

HARIG® 618 Ball Way Surface Grinder Specifications

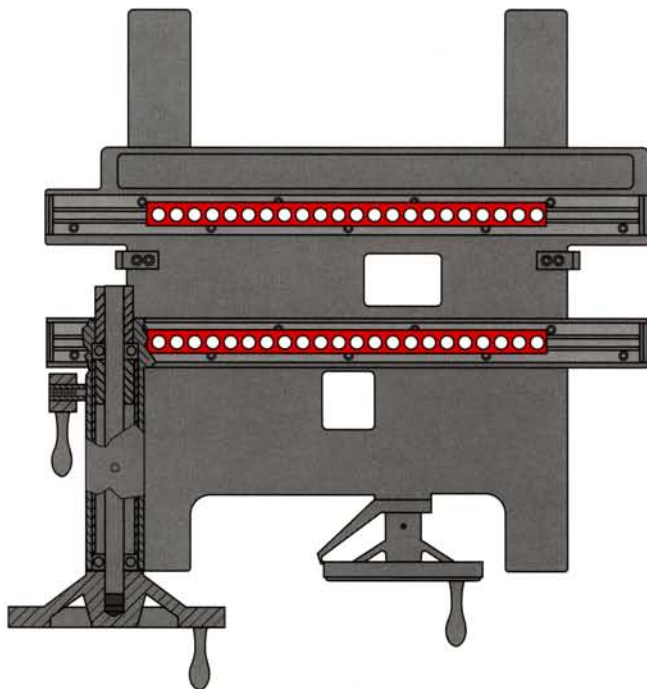
6 x 18 in. platen

Performance accuracy that lasts

Specifications

Cable longitudinal table drive	Standard
Longitudinal travel	20 in. (508 mm)
Cross feed travel	6 ³ / ₄ in. (171 mm)
Vertical working height (under 7 in. wheel)	11 ³ / ₄ in. (298 mm)
Platen work area	6 x 18in. (152 x 457 mm)
Grinding wheel furnished	7 x 1 ¹ / ₂ x 1 ¹ / ₄ in. I.D. (178 x 13 x 32 mm)
Grinding wheel maximum capacity	8 x 1 ¹ / ₄ x 1 ¹ / ₄ in. I.D. (203 x 32 x 32mm)
Elevating handwheel grad.	0.0001 in. (0.0025 mm)
Cross feed handwheel grad.	0.001 in. (0.02 mm)
Spindle motor	2 HP (1.38 kW)
Spindle speed	3450 RPM
Floor area cabinet	29 x 29 in. (737 x 737 mm)
Floor area operating space	69 x 45 in. (1753 x 1143 mm)
Net weight of machine	1350 lbs. (599 kg)
Weight, domestic crated	1530 lbs. (694 kg)
Weight, export boxed	1650 lbs. (748 kg)
Export box dimensions	76 x 55 x 45in.(1.9 x 1.4 x 1.1 m)

NOTE: Specifications Subject to Change Without Notice.

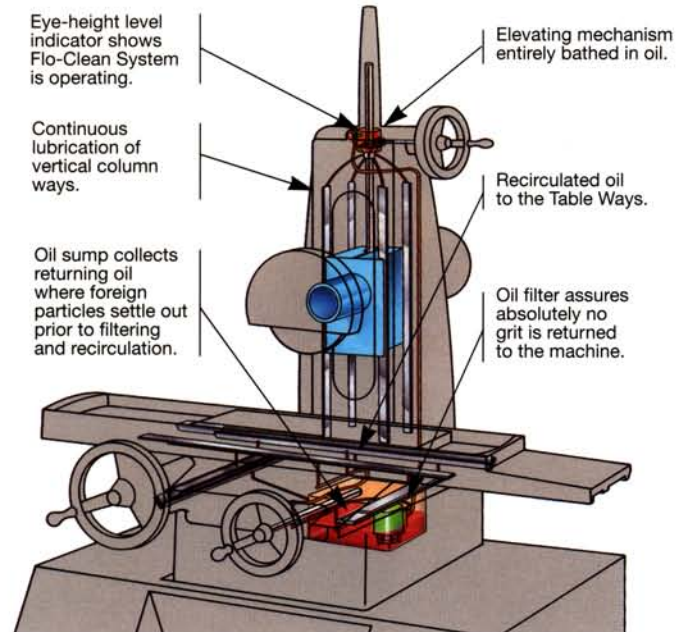


Longitudinal Table Travel:

Harig's smooth cable drive Ball Way design is protected from contamination with front and rear seals.

Automatic Lubrication System:

Harig's exclusive Flo-Clean Lubrication System continuously floods ways, bearings and leadscrews with recirculated filtered oil.



HARIG®

Harig Products, Inc. • 1875 Big Timber Road • Elgin, IL 60123 • (847) 695-1000 • Fax: (847) 695-1043

Safety Notice: Harig Products, Inc. provides protective devices for the safe use of this equipment. Operation of this equipment may cause injury if the protective devices are removed. A comprehensive safety manual is provided with all machines offered by Harig Products, Inc. and recommended safe operating procedures must be adhered to.